

bluelight

AUTOMIST SMARTSCAN HYDRA PRE-INSTALLATION GUIDE

Please provide this document to your contractors. If there are any questions or concerns about the content of this document please don't hesitate to contact us.



PUMP LOCATION & DIMENSIONS



The Automist pump is approx. 385mm (height), by 216mm (depth) by 181mm (width).

The controller is 155mm (height) by 40mm (depth) by 155mm (width).

The area to house the pump should also allow room for pipe work, control unit, water filter and ease of connection.

The pump unit(s) should be housed in a room or cupboard that is separated by a fire resisting partition from the mist-protected room(s) that it serves, or the pump located so that it is;

- a) unlikely to be affected by fire (in a cupboard no more than 0.8m from floor level, i.e. under a kitchen sink)*
 - b) protected in the event of fire;*
 - c) unlikely to be affected by flooding.*
-

STEP 1 – WATER SUPPLY (PER PUMP)



*You will need to install one **COLD** water supply per pump.*

This supply must be at least 6 litres/min at between 1 – 10bar.

*The **COLD** water supply that has been designated for the pump must terminate in a **¾” STANDARD WASHING MACHINE ISOLATION VALVE**.*



The water supply must have sufficient clearance for the components shown in the photo to the left and in the photo on the page previous.

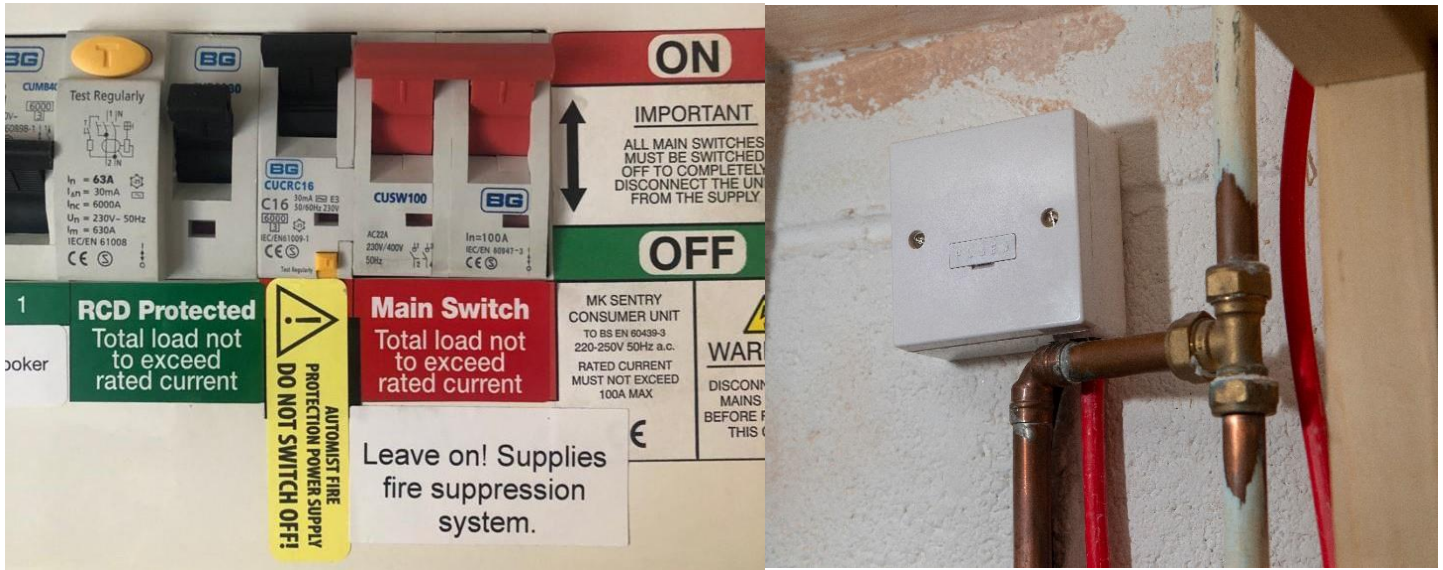
The height of the horizontal water inlet pipe (centre to floor) needs to be within 37 – 45 cm. The Vertical water inlet pipe should have a minimum wall clearance of 9cm.

If the pipe is liable to freeze then the area must be frost protected. Otherwise, it will cause a problem for the PRV installation (rotation).

This must be live on the day of installation.



STEP 2 – ELECTRICITY SUPPLY (PER PUMP)



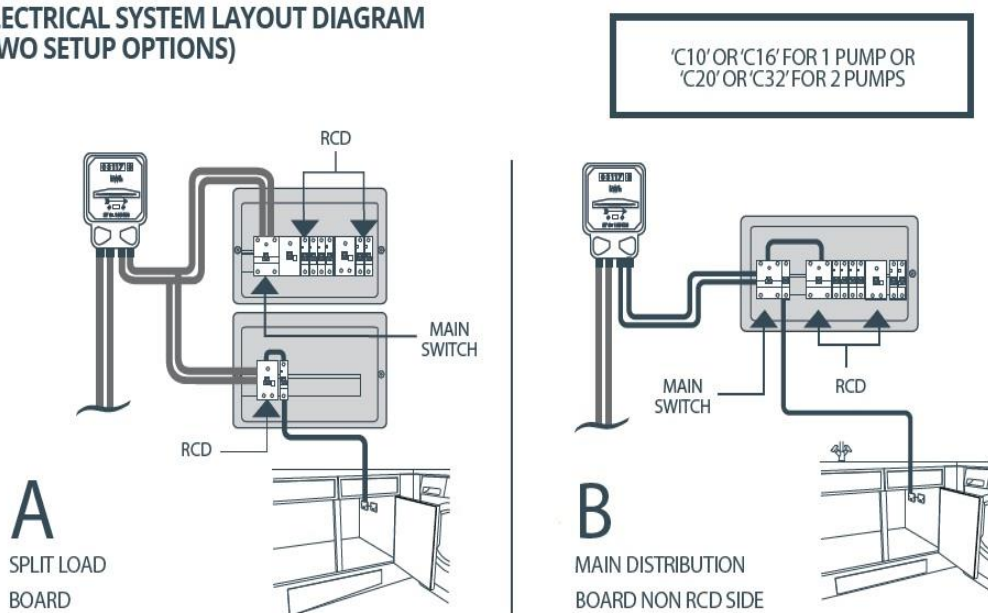
No more than 1m from the water supply there should be 1x non-switched fused spur fitted with a 13amp fuse. This must be run in FP200 cable (1.5 or 2.5).

Only “C” (MCB or RCBO) type breakers are suitable (‘C10’ or ‘C16’ for one pump or ‘C20’ or ‘C32’ for two pumps).

This must not be protected by an RCD that also protects other circuits.

One supply is required per pump unit and must be live on the day of installation.

ELECTRICAL SYSTEM LAYOUT DIAGRAM (TWO SETUP OPTIONS)



STEP 3 – BACKBOXES



The Backboxes (supplied by Blue Light) must be mounted in the positions specified by Blue Light between the heights of **1400-1450mm** from the centre of the backbox to finished floor level.

Please ensure that care is taken to make the backboxes **level** when installed in the wall.

The backbox should be installed so that the gap for the **hose and cable is at the bottom.**

The backboxes need to be chased into the wall to **sit flush** with the finished plaster.

The backbox needs to be **secured correctly through the back of the** box and not through the side as this impedes the spray head.

STEP 4 – HOSES



*The high pressure hoses and cables (supplied by Blue Light) must **enter from the bottom of the backbox** and must be fitted so that it **can be retracted from the backbox** by around 100mm for fitting of the heads and to service the unit in future.*

The hose must run straight down the wall for at least 200mm.

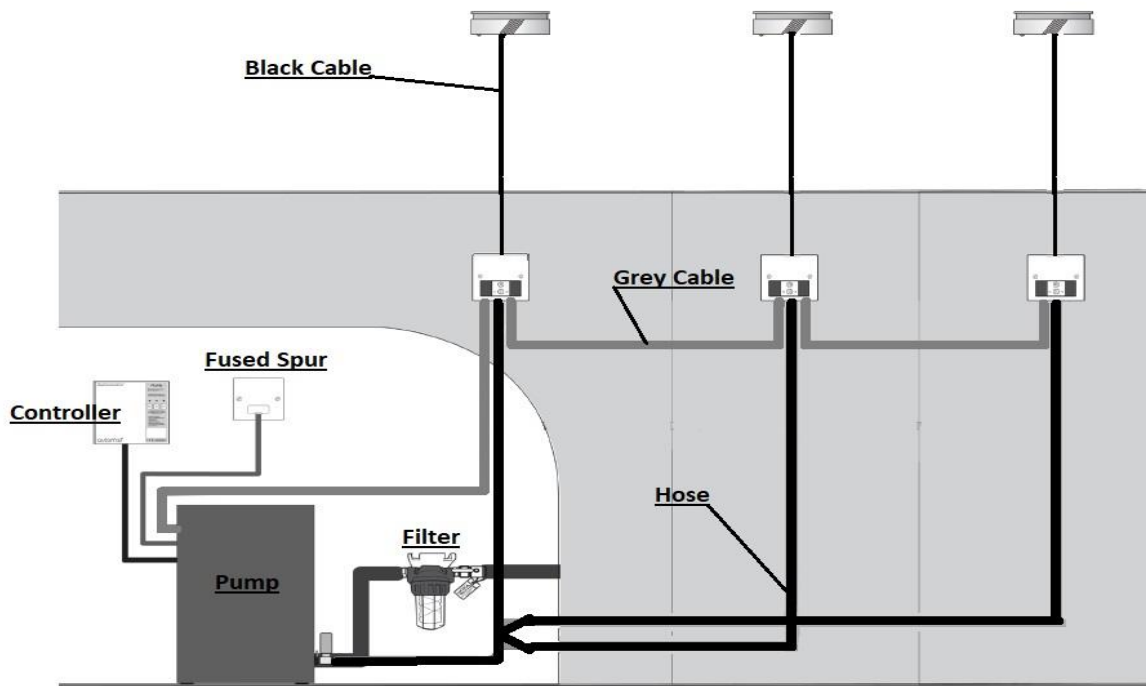
***The hose must sit at the back of the backbox.** This means that the hose chase should be 60mm deep otherwise the head will not sit flush.*

If the hose and cable are being chased into a wall or floor, then they must be fitted within a conduit with an internal bore of no less than 32mm.

The conduit needs to stop 50mm under the bottom of the backbox.

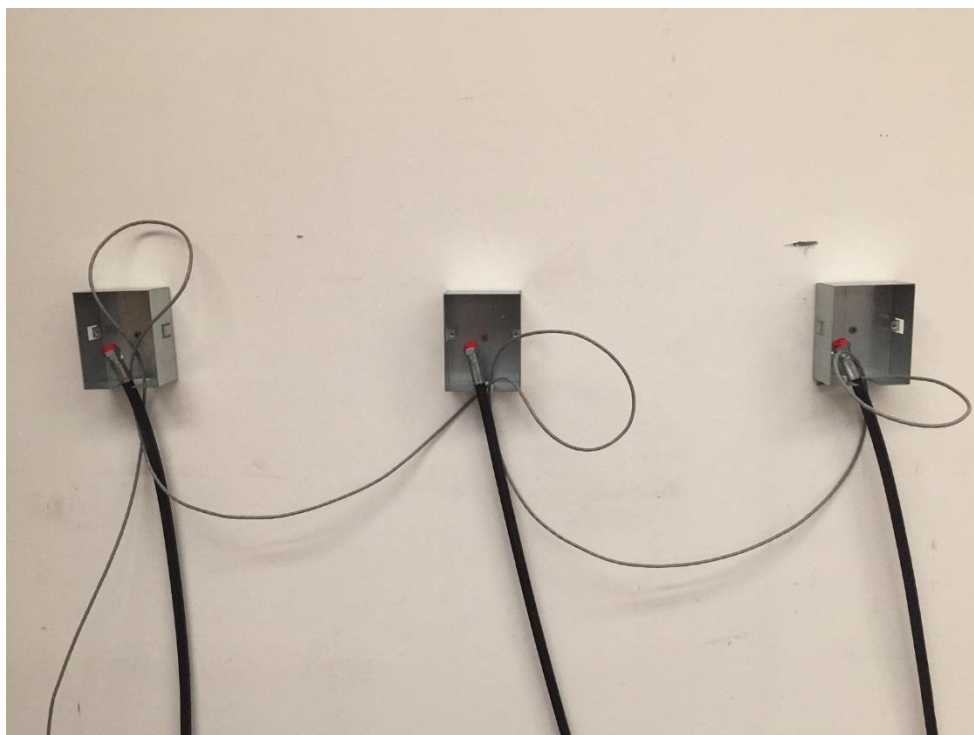
Please Note: The hose is flexible but cannot go round tight bends, so you need to ensure that this is planned for when chasing.

STEP 5 – GREY CABLE



The grey cable (power/comms cable, supplied by Blue Light) must run from the pump unit via each spray head in a **daisy chain** format and terminate in the last backbox.

A loop of approx. **300mm** circumference must be left protruding from each backbox.

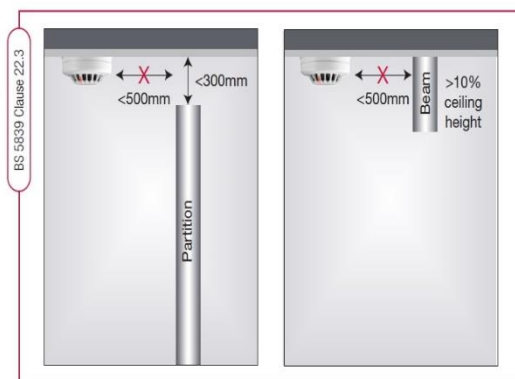


STEP 6 – BLACK CABLE & DETECTOR

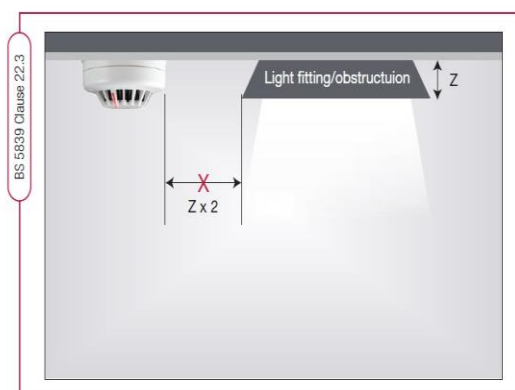


Blue Light Safety will install an Apollo Orbis multicriteria detector as the trigger mechanism for the system, the black cable (supplied by Blue Light) must be installed by yourselves before installation day.

Each detector (if in separate rooms) or multiples of detectors (if positioned in the same room) must be hard wired with the black cable (supplied by Blue Light) back to the corresponding head and (if more than one detector serving a single room) linked together.



A device should not be mounted within 500mm of any obstruction. If the top of a solid partition is less than 300mm from the ceiling then it should be treated as a wall. Similarly, ceiling obstructions such as beams should be treated as walls if deeper than 10% of the ceiling height (particularly important in voids).



For obstructions less than 250mm deep never mount devices closer than twice the depth of light fittings or other obstructions in the ceiling.

Blue Light Safety engineers will indicate where the detectors need to be located at the site visit.

Please ensure that when installing the cable, the location conforms with the above guidelines.

The hole that is made for the detector cable to come through must be no more than 25mm wide due to the size of the detector.

NEXT STEPS

Once the Pre-installation work has been completed, please complete, and submit the pre-installation checklist. You can find this on the below link.

[Click here to fill out the checklist](#)

When this has been completed, one of the Blue Light team will contact you to book in your installation.

Please Note: Blue Light Safety will provide assistance wherever possible. When the checklist has been signed and an installation date has been agreed, if we have to abort the installation due to incorrect pre-installation work, an abortive charge of £250.00 + VAT will be added to the final invoice.

Please do not hesitate to contact us if you have any queries.

0330 353 0053 or info@bluelightsafety.co.uk

To speak to an engineer please use one of the numbers below:

For London enquiries – Chris Cambridge 07525060805

For Nationwide enquiries – Martin Hooton 07419749849